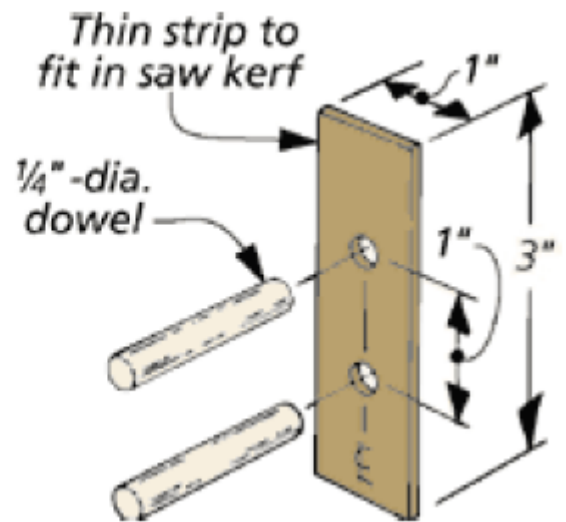


Plywood Ripping Support

I like to use my circular saw to rip down sheets of plywood. But if the cut-off piece is unsupported, it can sag – sometimes even breaking off and tearing the veneer before I finish the cut.



So to prevent this problem, I came up with the support shown in the photo. As you can see, it's pretty simple – just a thin strip of 1/8" hardboard with a couple 1/4" dowels spaced 1" apart.

After starting the cut, I slip the support into the saw kerf, and it keeps the cut-off piece of plywood from sagging (Fig. 1).

